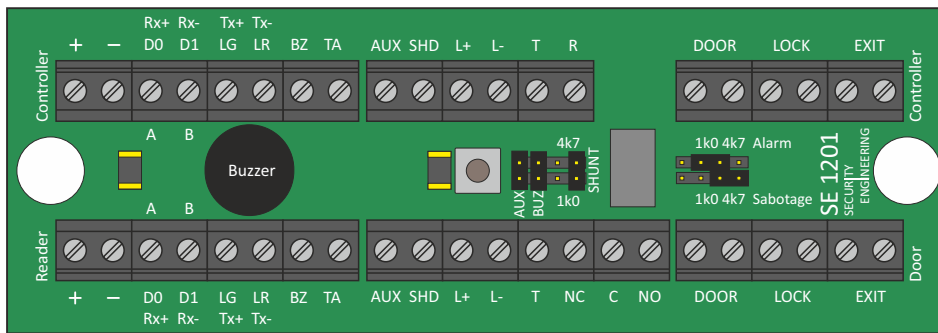
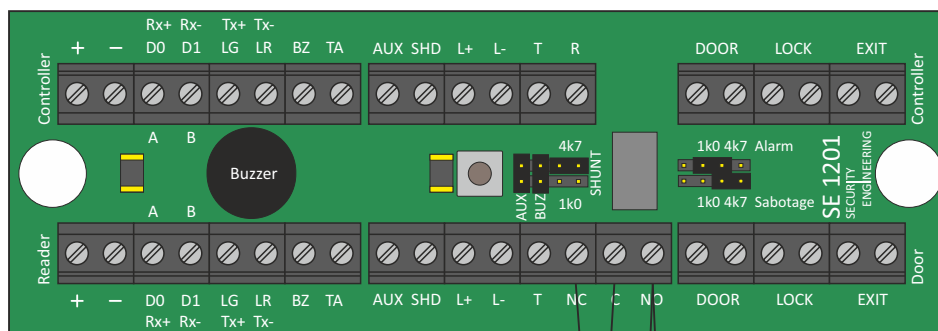



Access Control Junction Box  
SE 1201



**Terminals:**

- + Reader Power Supply (Fuse 300 mA)
- Reader Power Supply
- D0 Wiegand Data 0 / Rx+
- D1 Wiegand Data 1 / Rx-
- LG Wiegand LED Green / Tx+
- LR Wiegand LED Red / Tx-
- BZ Wiegand Buzzer (Connects to internal buzzer through J2)
- TA Reader & Box Tamper
- AUX Auxillary connection - Connects to 0V through J1
- SHD Shield
- L+ Lock Power Supply (Fuse 500mA)
- L- Lock Power Supply
- T Trig signal for motorized lock
- R Trig signal for bypass relay
- NO Bypass relay - Normally Closed
- C Bypass Relay - Common (1k0 or 4k7 resistor shunt J3)
- NC Bypass relay - Normally Open
- DOOR Door position switch
- LOCK Lock position switch
- EXIT Request to Exit



  
Technical drawings  
according to DIN  
specifications

SECURITY  
ENGINEERING

Tel.: +45 87 30 04 45  
www.securityengineering.dk

Design : SE 1201 - EAC Junction box

Subject : Connections

Scale :

Dato : 2018-03-22

Rev.: C